

# 10kVA / 1φ

| PRI. V | AFP #    | Taps      | BIL | HIPOT | FUSE RATING* |
|--------|----------|-----------|-----|-------|--------------|
| 14400  | 410404Rx | ±7 1/2    | 95  | 34    | 3E           |
| 13800  | 410406Rx | ±7 1/2    | 95  | 34    | 3E           |
| 13200  | 410408Rx | ±7 1/2    | 95  | 34    | 3E           |
| 12470  | 410410Rx | ±7 1/2    | 95  | 34    | 3E           |
| 12000  | 410412Rx | ±7 1/2    | 95  | 34    | 3E           |
| 8320   | 410414Rx | ±7 1/2    | 95  | 34    | 5E           |
| 7620   | 410416Rx | ±7 1/2    | 95  | 34    | 5E           |
| 7200   | 410418Rx | ±7 1/2    | 95  | 34    | 5E           |
| 4800   | 410420Rx | ±7 1/2    | 60  | 19    | 7E           |
| 4160   | 410422Rx | ±7 1/2    | 60  | 19    | 7E           |
| 2400   | 410424Rx | ±7 1/2    | 60  | 19    | 15E          |
| 14400  | 410405Rx | ±(2)2 1/2 | 95  | 34    | 3E           |
| 13800  | 410407Rx | ±(2)2 1/2 | 95  | 34    | 3E           |
| 13200  | 410409Rx | ±(2)2 1/2 | 95  | 34    | 3E           |
| 12470  | 410411Rx | ±(2)2 1/2 | 95  | 34    | 3E           |
| 12000  | 410413Rx | ±(2)2 1/2 | 95  | 34    | 3E           |
| 8320   | 410415Rx | ±(2)2 1/2 | 95  | 34    | 5E           |
| 7620   | 410417Rx | ±(2)2 1/2 | 95  | 34    | 5E           |
| 7200   | 410419Rx | ±(2)2 1/2 | 95  | 34    | 5E           |
| 4800   | 410421Rx | ±(2)2 1/2 | 60  | 19    | 7E           |
| 4160   | 410423Rx | ±(2)2 1/2 | 60  | 19    | 7E           |
| 2400   | 410425Rx | ±(2)2 1/2 | 60  | 19    | 15E          |

\* Based on NEC transformer overcurrent protection, Specific applications may require other ratings.

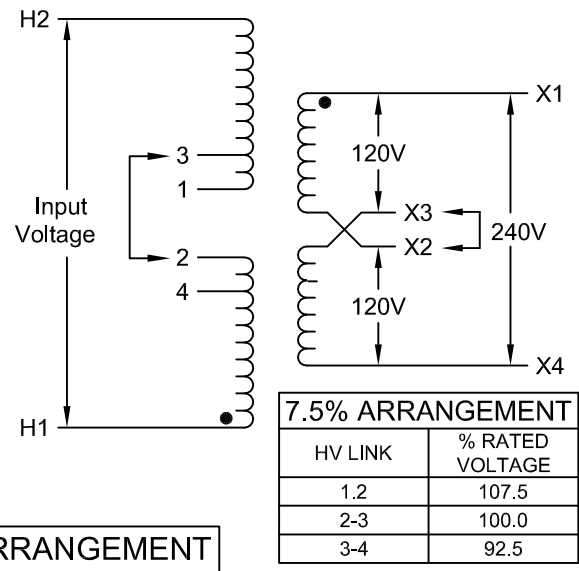
**PHASE: 1**  
**FREQUENCY: 60 Hz**  
**INSULATION CLASS: 185°C**  
**TEMPERATURE RISE: 115°C**  
**POLARITY: SUBTRACTIVE**  
**APPROXIMATE WEIGHT: 290 LBS.**

**PRIMARY TAP CONNECTIONS:** + Voltage % TAP ON H1-H2 JUMPER x-x (SEE TABLE)  
 NOMINAL ON H1-H2 JUMPER 2-3 OR 3-4  
 - Voltage % TAP ON H1-H2 JUMPER x-x (SEE TABLE)

**SECONDARY CONNECTIONS:** LINES ON X1 TO X4  
 240V SERIES CONNECT X2 TO X3  
 120V PARALLEL CONNECT X1 TO X3, X2 TO X4

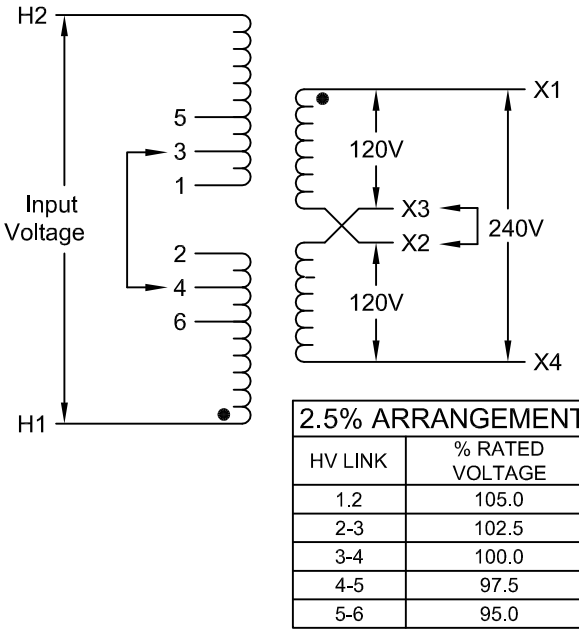
- Note:**
- 1) Dimensions are maximum envelope and can be smaller. Consult factory for actual dimensions.
  - 2) Thermal Rating: 10kVA based on 30°C ambient, @ 55°C ambient power is limited to 8.6kVA.
  - 3) Addition of fan cooling to transformer increases power rating by 33%.
  - 4) High voltage coil uses vacuum cast epoxy insulation system
  - 5) Low voltage coil impregnated with polyester resin insulation system
  - 6) Standard product offered unfused
  - 7) Core is constructed with low loss grain oriented electrical steel
  - 8) Custom voltages and BIL requirements are available

## (1) ±7.5% Tap Arrangement

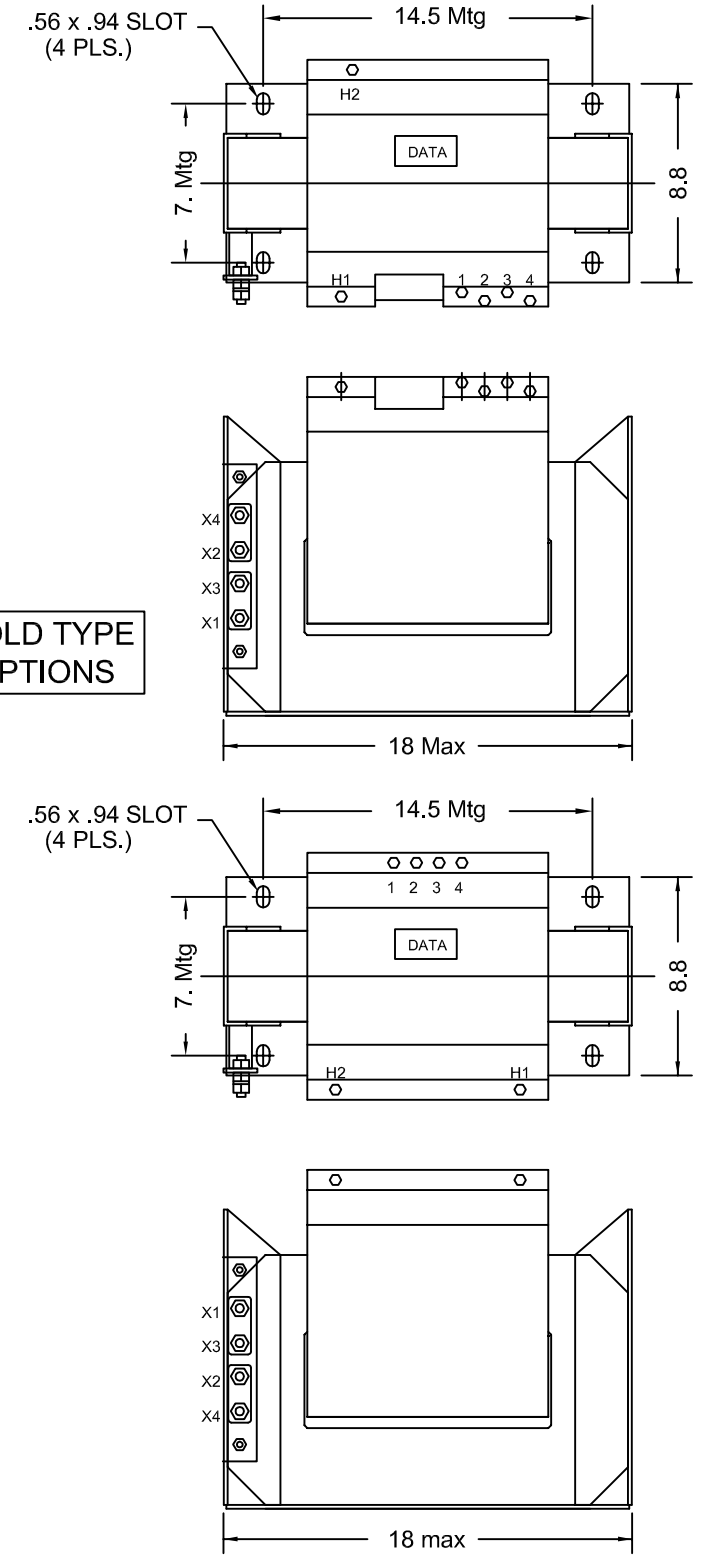


TAP ARRANGEMENT OPTIONS

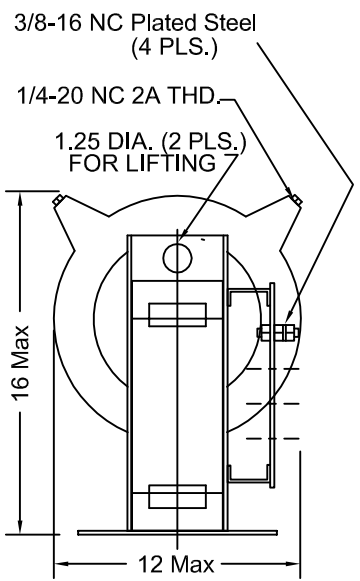
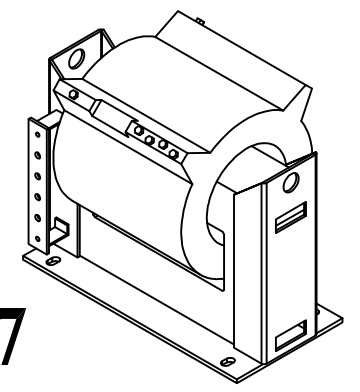
## (2) ±2.5% Tap Arrangement



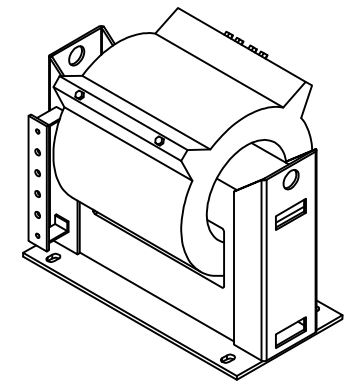
MOLD TYPE OPTIONS



R7



R2



TYPICAL MEASUREMENTS - CAN BE MODIFIED TO CUSTOMER REQUIREMENTS  
 CONTACT FACTORY FOR ALL CUSTOM REQUIREMENTS

Sales generated

|   |   |          |                          |                 |
|---|---|----------|--------------------------|-----------------|
| <input type="checkbox"/> APPROVED<br><input type="checkbox"/> APPROVED AS NOTED<br><input type="checkbox"/> REJECTED AND RESUBMIT | EpoxyCast 10kVA 5_15kV 1phase Outline                 |          | AFP TRANSFORMERS, CORP.  |                 |
|   | from 860717C  |          | A UNITED CAPITAL COMPANY |                 |
|   | TITLE 5kV to 15kV Class - 10kVA SCHEMATIC AND OUTLINE |          |                          |                 |
| TOLERANCE   |   | MATERIAL |                          | FINISH          |
| DWN.BY<br>js  | CHECKED   | APPROVED | SCALE<br>NTS             | REV.            |
| DATE<br>032421  | DATE  | DATE     | SHEET<br>1 OF 1          | 10kVA 15kV 1φ - |