

15kVA / 1φ

PRI. V	AFP #	Taps	BIL	HIPOT	FUSE RATING*
14400	410504Rx	±7 1/2	95	34	5E
13800	410506Rx	±7 1/2	95	34	5E
13200	410508Rx	±7 1/2	95	34	5E
12470	410510Rx	±7 1/2	95	34	5E
12000	410512Rx	±7 1/2	95	34	5E
8320	410514Rx	±7 1/2	95	34	7E
7620	410516Rx	±7 1/2	95	34	7E
7200	410518Rx	±7 1/2	95	34	7E
4800	410520Rx	±7 1/2	60	19	10E
4160	410522Rx	±7 1/2	60	19	10E
2400	410524Rx	±7 1/2	60	19	15E
14400	410505Rx	±(2)2 1/2	95	34	5E
13800	410507Rx	±(2)2 1/2	95	34	5E
13200	410509Rx	±(2)2 1/2	95	34	5E
12470	410511Rx	±(2)2 1/2	95	34	5E
12000	410513Rx	±(2)2 1/2	95	34	5E
8320	410515Rx	±(2)2 1/2	95	34	7E
7620	410517Rx	±(2)2 1/2	95	34	7E
7200	410519Rx	±(2)2 1/2	95	34	7E
4800	410521Rx	±(2)2 1/2	60	19	10E
4160	410523Rx	±(2)2 1/2	60	19	10E
2400	410525Rx	±(2)2 1/2	60	19	15E

* Based on NEC transformer overcurrent protection, Specific applications may require other ratings.

PHASE: 1
FREQUENCY: 60 Hz
INSULATION CLASS: 185°C
TEMPERATURE RISE: 115°C
POLARITY: SUBTRACTIVE
APPROXIMATE WEIGHT: 290 LBS.

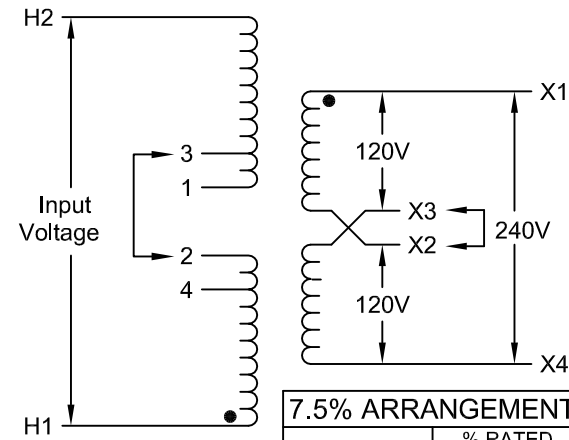
PRIMARY TAP CONNECTIONS: + Voltage % TAP ON H1-H2 JUMPER x-x (SEE TABLE)
 NOMINAL ON H1-H2 JUMPER 2-3 OR 3-4
 - Voltage % TAP ON H1-H2 JUMPER x-x (SEE TABLE)

SECONDARY CONNECTIONS: LINES ON X1 TO X4
 240V SERIES CONNECT X2 TO X3

Note: 120V PARALLEL CONNECT X1 TO X3, X2 TO X4

- 1) Dimensions are for maximum and subject to change. Consult factory for actual dimensions.
- 2) Thermal Rating: 15kVA based on 30°C ambient, @ 55°C ambient power is limited to 12.9kVA.
- 3) Addition of fan cooling to transformer increases power rating by 33%.
- 4) High voltage coil uses vacuum cast epoxy insulation system
- 5) Low voltage coil impregnated with polyester resin insulation system
- 6) Standard product offered unfused
- 7) Core is constructed with low loss grain oriented electrical steel
- 8) Custom voltages and BIL requirements are available

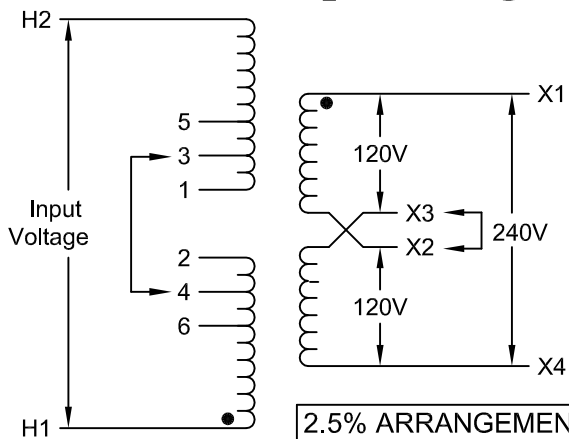
(1) ±7.5% Tap Arrangement



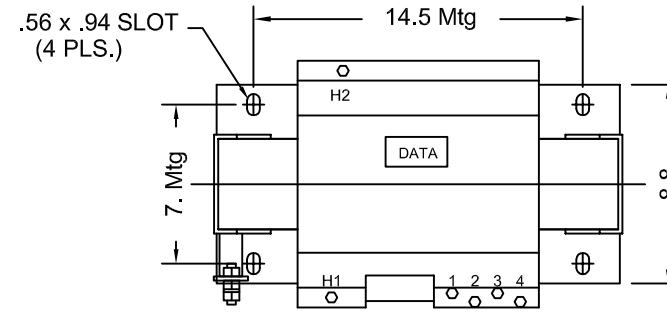
HV LINK	% RATED VOLTAGE
1-2	107.5
2-3	100.0
3-4	92.5

TAP ARRANGEMENT OPTIONS

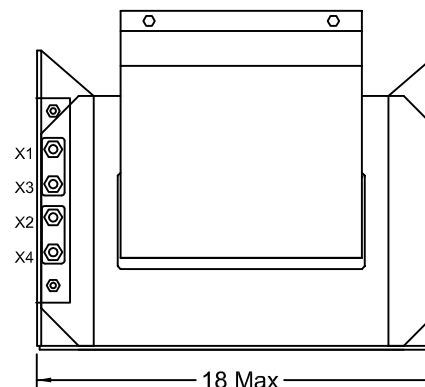
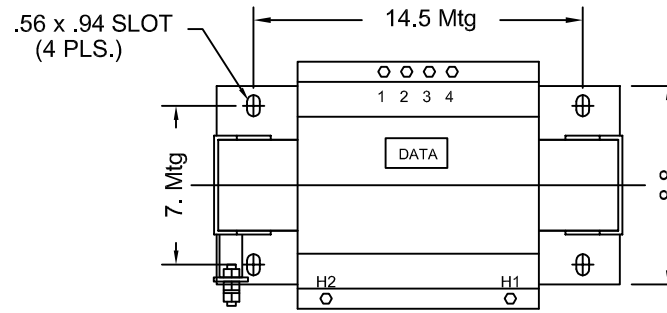
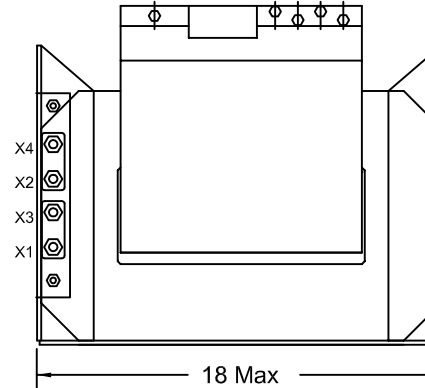
(2) ±2.5% Tap Arrangement



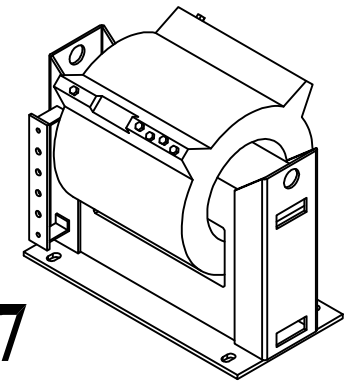
HV LINK	% RATED VOLTAGE
1-2	105.0
2-3	102.5
3-4	100.0
4-5	97.5
5-6	95.0



MOLD TYPE OPTIONS



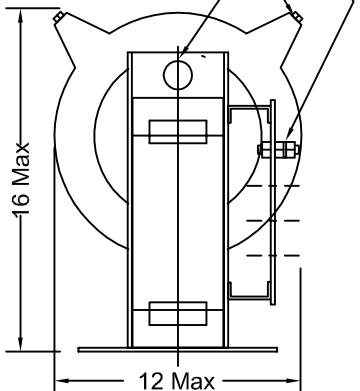
R7



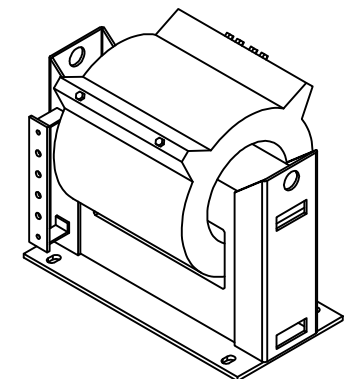
3/8-16 NC Plated Steel (4 PLS.)

1/4-20 NC 2A THD.

1.25 DIA. (2 PLS.) FOR LIFTING



R2



TYPICAL MEASUREMENTS - CAN BE MODIFIED TO CUSTOMER REQUIREMENTS
 CONTACT FACTORY FOR ALL CUSTOM REQUIREMENTS

Sales generated

<input type="checkbox"/> APPROVED <input type="checkbox"/> APPROVED AS NOTED <input type="checkbox"/> REJECTED AND RESUBMIT	EpoxyCast 15kVA 5_15kV 1Phase Outline		AFP TRANSFORMERS, CORP.	
	from 860717C		A UNITED CAPITAL COMPANY	
	TITLE 5kV to 15kV Class - 15kVA SCHEMATIC AND OUTLINE			
TOLERANCE		MATERIAL		FINISH
DWN.BY js	CHECKED	APPROVED	SCALE NTS	15kVA 15kV / 1φ
DATE 032421	DATE	DATE	SHEET 1 OF 1	
DATE: ____ BY: ____				REV. -