

# 37.5kVA 1φ

PRI. V	AFP #	Taps	BIL	HIPOT	FUSE RATING*
14400	410704	±7 1/2	95	34	10E
13800	410706	±7 1/2	95	34	10E
13200	410708	±7 1/2	95	34	10E
12470	410710	±7 1/2	95	34	10E
12000	410712	±7 1/2	95	34	10E
8320	410714	±7 1/2	95	34	20E
7620	410716	±7 1/2	95	34	20E
7200	410718	±7 1/2	95	34	20E
4800	410720	±7 1/2	60	19	20E
4160	410722	±7 1/2	60	19	20E
2400	410724	±7 1/2	60	19	25E
14400	410705	±(2)2 1/2	95	34	10E
13800	410707	±(2)2 1/2	95	34	10E
13200	410709	±(2)2 1/2	95	34	10E
12470	410711	±(2)2 1/2	95	34	10E
12000	410713	±(2)2 1/2	95	34	10E
8320	410715	±(2)2 1/2	95	34	20E
7620	410717	±(2)2 1/2	95	34	20E
7200	410719	±(2)2 1/2	95	34	20E
4800	410721	±(2)2 1/2	60	19	20E
4160	410723	±(2)2 1/2	60	19	20E
2400	410725	±(2)2 1/2	60	19	25E

\* Based on NEC transformer overcurrent protection, Specific applications may require other ratings.

**PHASE: 1**  
**FREQUENCY: 60 Hz**  
**INSULATION CLASS: 185°C**  
**TEMPERATURE RISE: 115°C**  
**POLARITY: SUBTRACTIVE**  
**APPROXIMATE WEIGHT: 650 LBS.**

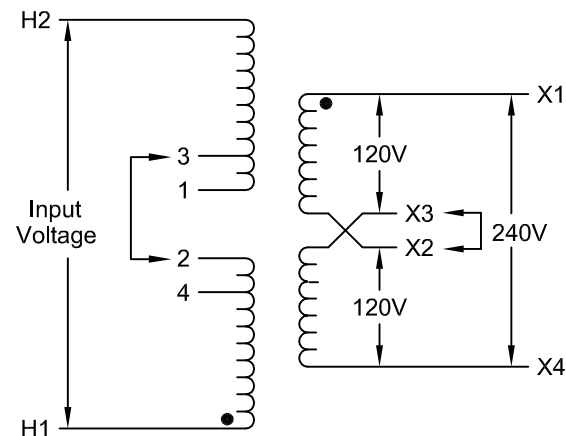
**PRIMARY TAP CONNECTIONS:** + Voltage % TAP ON H1-H2 JUMPER x-x  
 NOMINAL ON H1-H2 JUMPER 2-3  
 - Voltage % TAP ON H1-H2 JUMPER x-x

**SECONDARY CONNECTIONS:** LINES ON X1 TO X4  
 240V SERIES CONNECT X2 TO X3

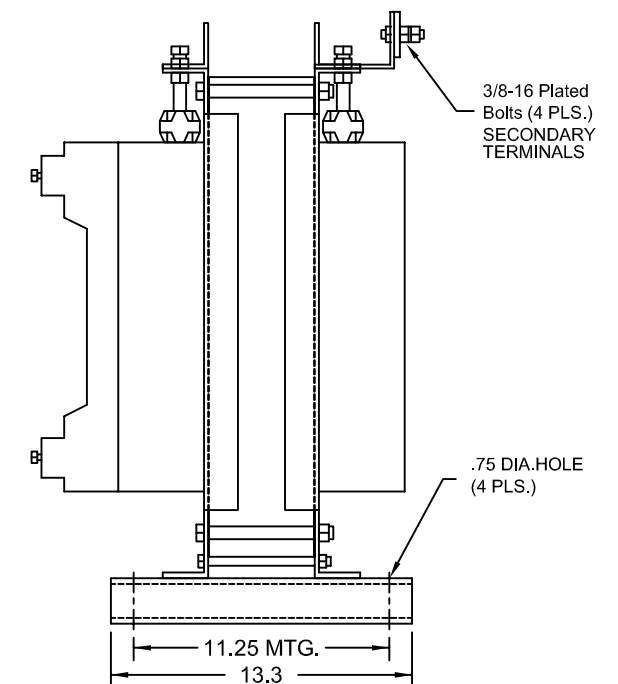
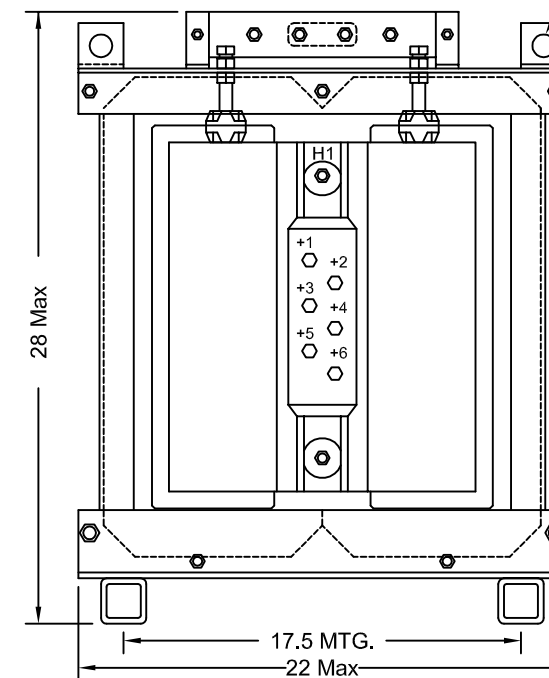
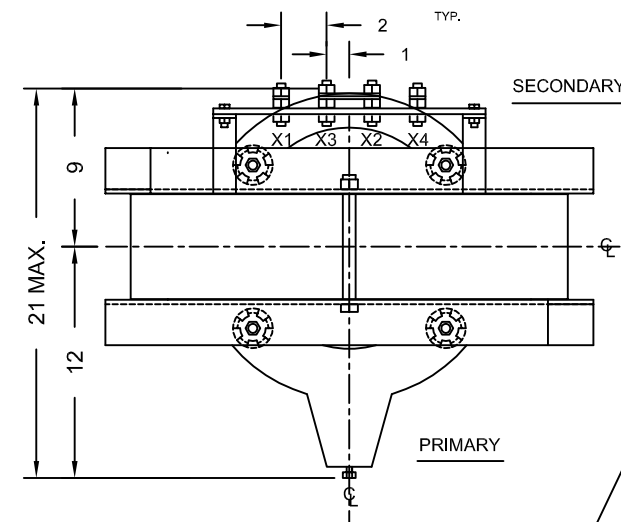
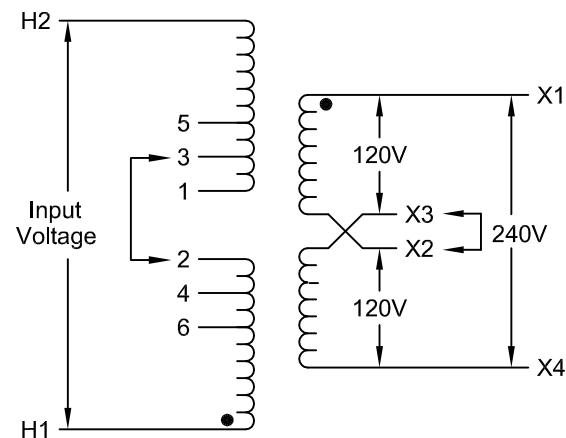
**Note:** 120V PARALLEL CONNECT X1 TO X3, X2 TO X4

- 1) Dimensions are for reference only and subject to change. Consult factory for details.
- 2) Thermal Rating: 37.5kVA based on 30°C ambient, @ 55°C ambient power is limited to 32.2kVA.
- 3) Addition of fan cooling to transformer increases power rating by 33%.
- 4) High voltage coil uses vacuum cast epoxy insulation system
- 5) Low voltage coil impregnated with polyester resin insulation system
- 6) Standard product offered unfused
- 7) Core is constructed with low loss grain oriented electrical steel
- 8) Custom voltages and BIL requirements are available

## (1) ±7.5% Tap Arrangement



## (2) ±2.5% Tap Arrangement



TYPICAL MEASUREMENTS - CAN BE MODIFIED TO CUSTOMER REQUIREMENTS

CONTACT FACTORY FOR ALL CUSTOM REQUIREMENTS

Sales generated

<input type="checkbox"/> APPROVED <input type="checkbox"/> APPROVED AS NOTED <input type="checkbox"/> REJECTED AND RESUBMIT	EpoxyCast 37_5kVA 5_15kV 1Phase Outline		AFP TRANSFORMERS, CORP. A UNITED CAPITAL COMPANY		
	from 860695B updated				
	TITLE 5kV to 15kV Class - 37.5kVA SCHEMATIC AND OUTLINE				
	TOLERANCE		MATERIAL		FINISH
DWN.BY js	CHECKED	APPROVED	SCALE NTS	<b>37.5kVA 1φ</b>	REV. -
DATE 031821	DATE	DATE	SHEET 1 OF 1		