

50kVA 1 ϕ

PRI. V	AFP #	Taps	BIL	HIPOT	FUSE RATING*
14400	410804	$\pm 7 \frac{1}{2}$	95	34	10E
13800	410806	$\pm 7 \frac{1}{2}$	95	34	10E
13200	410808	$\pm 7 \frac{1}{2}$	95	34	10E
12470	410810	$\pm 7 \frac{1}{2}$	95	34	15E
12000	410812	$\pm 7 \frac{1}{2}$	95	34	15E
8320	410814	$\pm 7 \frac{1}{2}$	95	34	25E
7620	410816	$\pm 7 \frac{1}{2}$	95	34	25E
7200	410818	$\pm 7 \frac{1}{2}$	95	34	25E
4800	410820	$\pm 7 \frac{1}{2}$	60	19	25E
4160	410822	$\pm 7 \frac{1}{2}$	60	19	25E
2400	410824	$\pm 7 \frac{1}{2}$	60	19	40E
14400	410805	$\pm(2)2 \frac{1}{2}$	95	34	10E
13800	410807	$\pm(2)2 \frac{1}{2}$	95	34	10E
13200	410809	$\pm(2)2 \frac{1}{2}$	95	34	10E
12470	410811	$\pm(2)2 \frac{1}{2}$	95	34	15E
12000	410813	$\pm(2)2 \frac{1}{2}$	95	34	15E
8320	410815	$\pm(2)2 \frac{1}{2}$	95	34	25E
7620	410817	$\pm(2)2 \frac{1}{2}$	95	34	25E
7200	410819	$\pm(2)2 \frac{1}{2}$	95	34	25E
4800	410821	$\pm(2)2 \frac{1}{2}$	60	19	25E
4160	410823	$\pm(2)2 \frac{1}{2}$	60	19	25E
2400	410825	$\pm(2)2 \frac{1}{2}$	60	19	40E

* Based on NEC transformer overcurrent protection, Specific applications may require other ratings.

PHASE: 1
FREQUENCY: 60 Hz
INSULATION CLASS: 185°C
TEMPERATURE RISE: 115°C
POLARITY: SUBTRACTIVE
APPROXIMATE WEIGHT: 750 LBS.

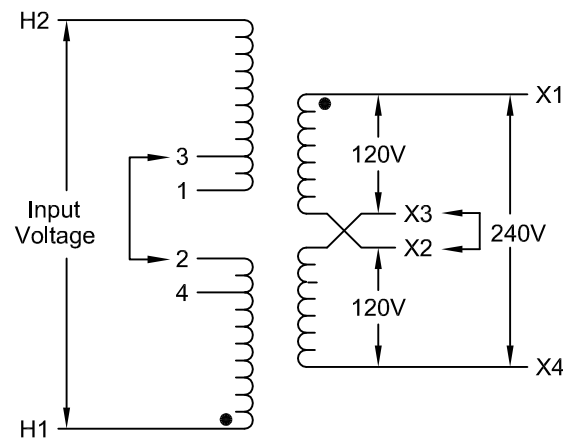
PRIMARY TAP CONNECTIONS: + Voltage % TAP ON H1-H2 JUMPER x-x
 NOMINAL ON H1-H2 JUMPER 2-3
 - Voltage % TAP ON H1-H2 JUMPER x-x

SECONDARY CONNECTIONS: LINES ON X1 TO X4
 240V SERIES CONNECT X2 TO X3
 120V PARALLEL CONNECT X1 TO X3, X2 TO X4

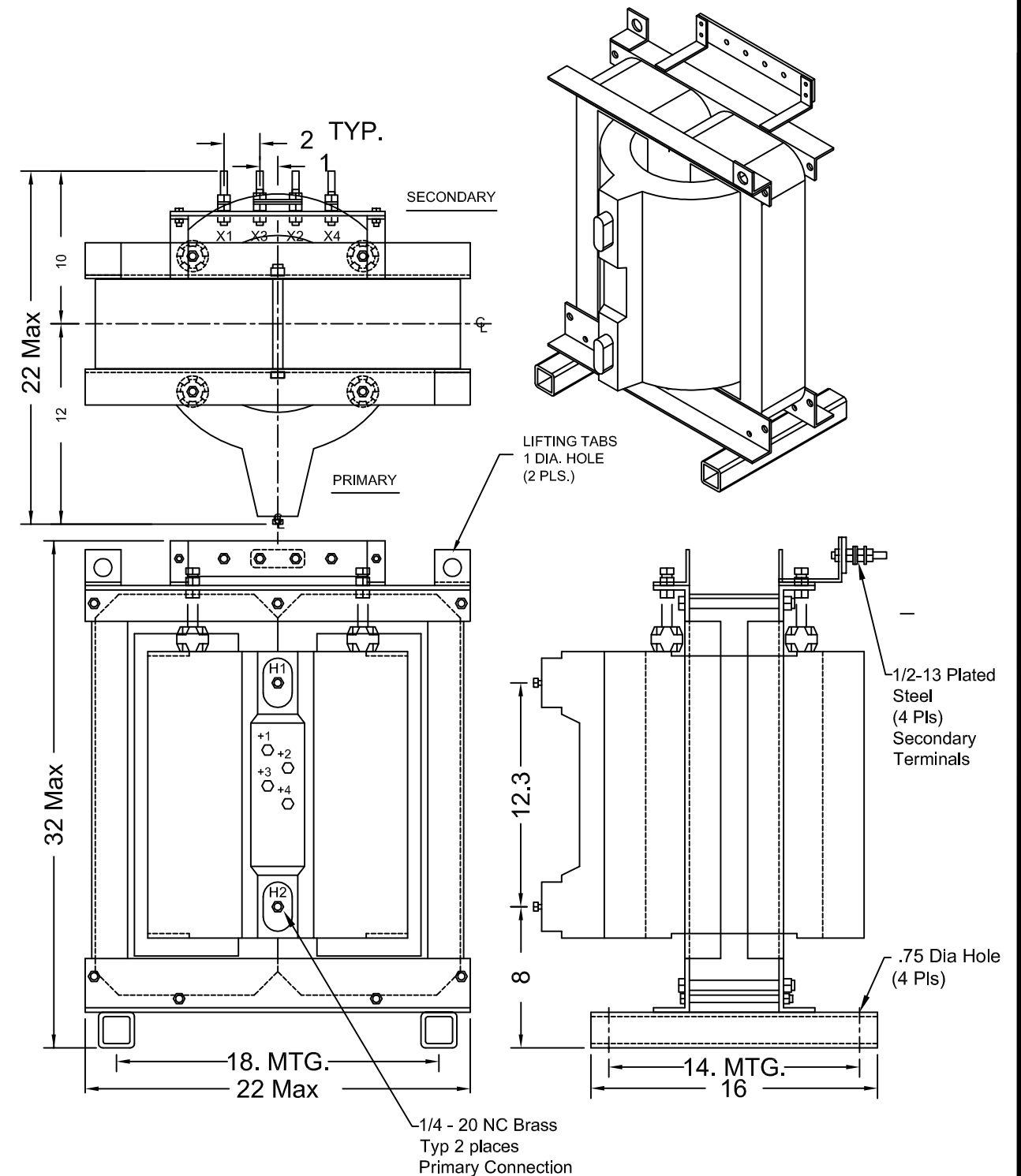
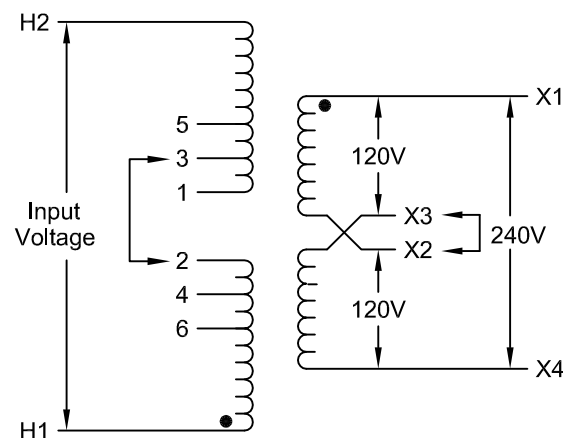
Note:

- 1) Dimensions are for reference only and subject to change. Consult factory for details.
- 2) Thermal Rating: 50kVA based on 30°C ambient, @ 55°C ambient power is limited to 42.9kVA.
- 3) Addition of fan cooling to transformer increases power rating by 33%.
- 4) High voltage coil uses vacuum cast epoxy insulation system
- 5) Low voltage coil impregnated with polyester resin insulation system
- 6) Standard product offered unfused
- 7) Core is constructed with low loss grain oriented electrical steel
- 8) Custom voltages and BIL requirements are available

(1) $\pm 7.5\%$ Tap Arrangement



(2) $\pm 2.5\%$ Tap Arrangement



TYPICAL MEASUREMENTS - CAN BE MODIFIED TO CUSTOMER REQUIREMENTS

CONTACT FACTORY FOR ALL CUSTOM REQUIREMENTS

Sales generated

<input type="checkbox"/> APPROVED <input type="checkbox"/> APPROVED AS NOTED <input type="checkbox"/> REJECTED AND RESUBMIT	EpoxyCast 50kVA 5_15kV Class 1phase		AFP TRANSFORMERS, CORP.	
	from 860696C updated, added HV size		A UNITED CAPITAL COMPANY	
	TITLE 5kV to 15kV Class - 50kVA SCHEMATIC AND OUTLINE			
TOLERANCE		MATERIAL		FINISH
DWN.BY js	CHECKED	APPROVED	SCALE NTS	REV.
DATE 031521	DATE	DATE	SHEET 1 OF 1	-

50kVA 1 ϕ