

5kVA / 1φ

| PRI. V | AFP # | Taps | BIL | HIPOT | FUSE RATING* |
|--------|----------|-----------|-----|-------|--------------|
| 14400 | 410304Rx | ±7 1/2 | 95 | 34 | 2E |
| 13800 | 410306Rx | ±7 1/2 | 95 | 34 | 2E |
| 13200 | 410308Rx | ±7 1/2 | 95 | 34 | 2E |
| 12470 | 410310Rx | ±7 1/2 | 95 | 34 | 2E |
| 12000 | 410312Rx | ±7 1/2 | 95 | 34 | 2E |
| 8320 | 410314Rx | ±7 1/2 | 95 | 34 | 3E |
| 7620 | 410316Rx | ±7 1/2 | 95 | 34 | 3E |
| 7200 | 410318Rx | ±7 1/2 | 95 | 34 | 3E |
| 4800 | 410320Rx | ±7 1/2 | 60 | 19 | 5E |
| 4160 | 410322Rx | ±7 1/2 | 60 | 19 | 5E |
| 2400 | 410324Rx | ±7 1/2 | 60 | 19 | 7E |
| 14400 | 410305Rx | ±(2)2 1/2 | 95 | 34 | 2E |
| 13800 | 410307Rx | ±(2)2 1/2 | 95 | 34 | 2E |
| 13200 | 410309Rx | ±(2)2 1/2 | 95 | 34 | 2E |
| 12470 | 410311Rx | ±(2)2 1/2 | 95 | 34 | 2E |
| 12000 | 410313Rx | ±(2)2 1/2 | 95 | 34 | 2E |
| 8320 | 410315Rx | ±(2)2 1/2 | 95 | 34 | 3E |
| 7620 | 410317Rx | ±(2)2 1/2 | 95 | 34 | 3E |
| 7200 | 410319Rx | ±(2)2 1/2 | 95 | 34 | 3E |
| 4800 | 410321Rx | ±(2)2 1/2 | 60 | 19 | 5E |
| 4160 | 410323Rx | ±(2)2 1/2 | 60 | 19 | 5E |
| 2400 | 410325Rx | ±(2)2 1/2 | 60 | 19 | 7E |

* Based on NEC transformer overcurrent protection, Specific applications may require other ratings.

PHASE: 1
FREQUENCY: 60 Hz
INSULATION CLASS: 185°C
TEMPERATURE RISE: 115°C
POLARITY: SUBTRACTIVE
APPROXIMATE WEIGHT: 165LBS.

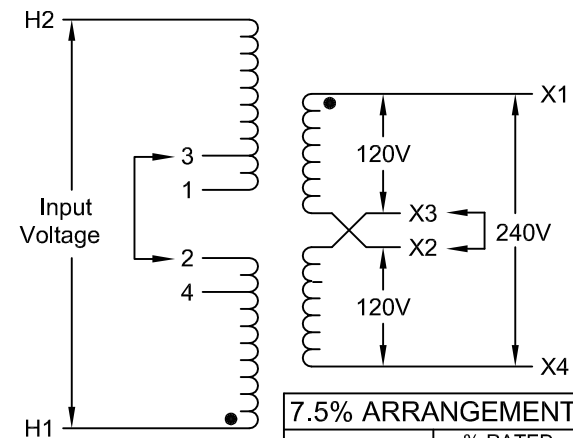
PRIMARY TAP CONNECTIONS: + Voltage % TAP ON H1-H2 JUMPER x-x (SEE TABLE)
 NOMINAL ON H1-H2 JUMPER 2-3 OR 3-4
 - Voltage % TAP ON H1-H2 JUMPER x-x (SEE TABLE)

SECONDARY CONNECTIONS: LINES ON X1 TO X4
 240V SERIES CONNECT X2 TO X3
 120V PARALLEL CONNECT X1 TO X3, X2 TO X4

Note:

- 1) Dimensions are for reference only and subject to change. Consult factory for details.
- 2) Thermal Rating: 5kVA based on 30°C ambient, @ 55°C ambient power is limited to 4.3kVA.
- 3) Addition of fan cooling to transformer increases power rating by 33%.
- 4) High voltage coil uses vacuum cast epoxy insulation system
- 5) Low voltage coil impregnated with polyester resin insulation system
- 6) Standard product offered unfused
- 7) Core is constructed with low loss grain oriented electrical steel
- 8) Custom voltages and BIL requirements are available

(1) ±7.5% Tap Arrangement

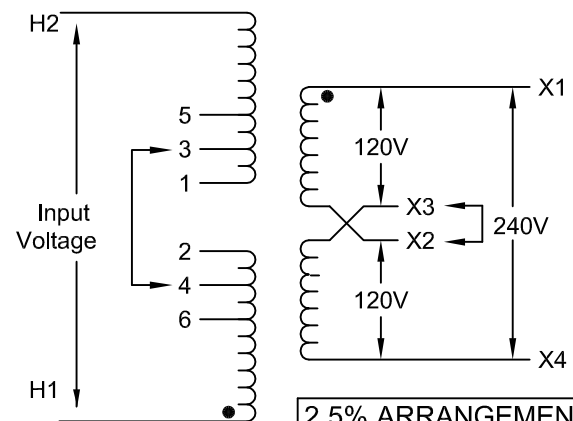


7.5% ARRANGEMENT

| HV LINK | % RATED VOLTAGE |
|---------|-----------------|
| 1-2 | 107.5 |
| 2-3 | 100.0 |
| 3-4 | 92.5 |

TAP ARRANGEMENT OPTIONS

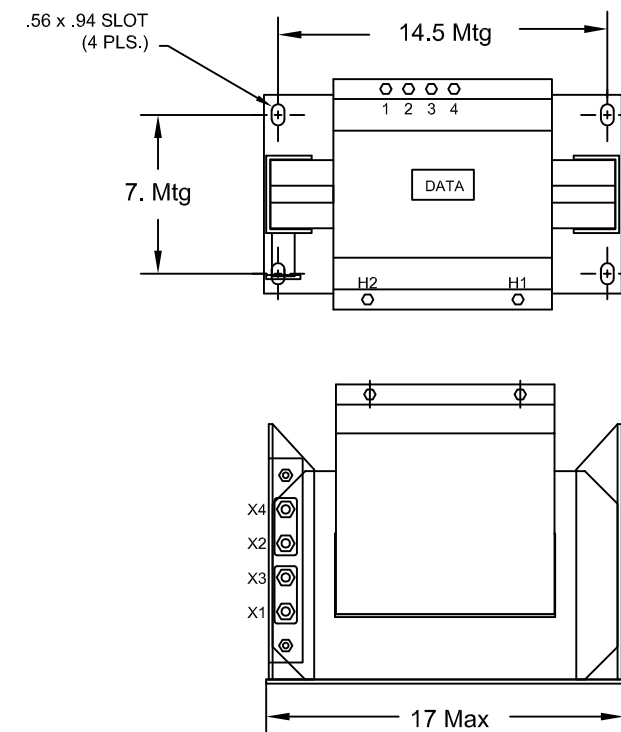
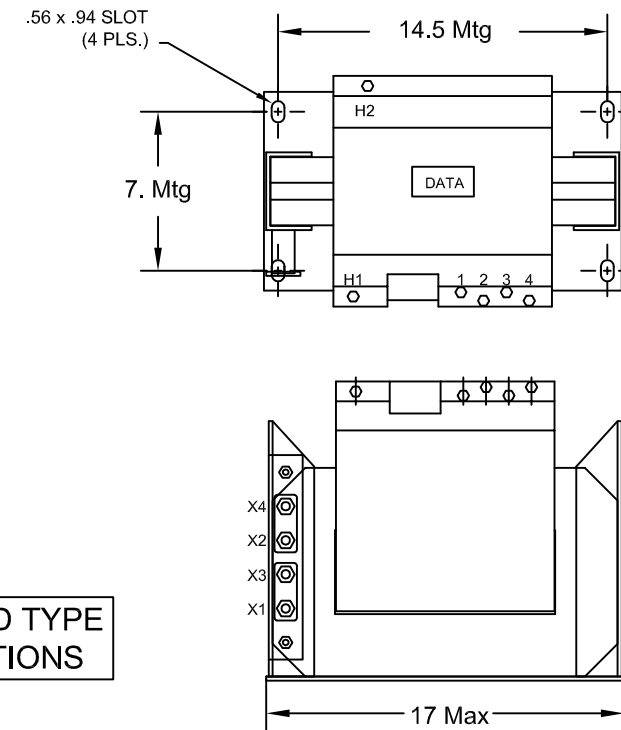
(2) ±2.5% Tap Arrangement



2.5% ARRANGEMENT

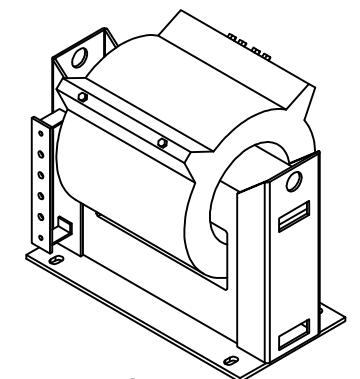
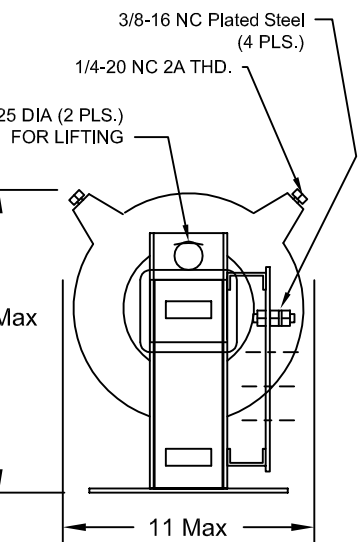
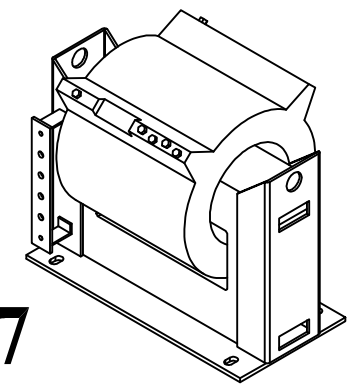
| HV LINK | % RATED VOLTAGE |
|---------|-----------------|
| 1-2 | 105.0 |
| 2-3 | 102.5 |
| 3-4 | 100.0 |
| 4-5 | 97.5 |
| 5-6 | 95.0 |

MOLD TYPE OPTIONS



R7

R2



TYPICAL MEASUREMENTS - CAN BE MODIFIED TO CUSTOMER REQUIREMENTS
 CONTACT FACTORY FOR ALL CUSTOM REQUIREMENTS

Sales generated

| | | | | |
|---|--|----------|---|--------------|
| <input type="checkbox"/> APPROVED <input type="checkbox"/> APPROVED AS NOTED <input type="checkbox"/> REJECTED AND RESUBMIT | 5kVA 5_15kVA 1phase Class Outline | | AFP TRANSFORMERS, CORP. A UNITED CAPITAL COMPANY | |
| | TITLE 5kV to 15kV Class - 5kVA SCHEMATIC AND OUTLINE | | | |
| | TOLERANCE | MATERIAL | FINISH | |
| DWN.BY js | CHECKED | APPROVED | SCALE NTS | 5kVA 15kV 1φ |
| DATE 032421 | DATE | DATE | SHEET 1 OF 1 | |
| DATE: ____ BY: ____ | REV. - | | | |