

75kVA 1φ

PRI. V	AFP #	Taps	BIL	HIPOT	FUSE RATING*
14400	410904	±7 1/2	95	34	20E
13800	410906	±7 1/2	95	34	20E
13200	410908	±7 1/2	95	34	20E
12470	410910	±7 1/2	95	34	20E
12000	410912	±7 1/2	95	34	20E
8320	410914	±7 1/2	95	34	30E
7200	410918	±7 1/2	95	34	30E
4800	410920	±7 1/2	60	19	30E
4160	410922	±7 1/2	60	19	30E
2400	410924	±7 1/2	60	19	40E
14400	410905	±(2) 1/2	95	34	20E
13800	410907	±(2) 1/2	95	34	20E
13200	410909	±(2) 1/2	95	34	20E
12470	410911	±(2) 1/2	95	34	20E
12000	410913	±(2) 1/2	95	34	20E
8320	410915	±(2) 1/2	95	34	30E
7200	410919	±(2) 1/2	95	34	30E
4800	410921	±(2) 1/2	60	19	30E
4160	410923	±(2) 1/2	60	19	30E
2400	410925	±(2) 1/2	60	19	40E

* Based on NEC transformer overcurrent protection, Specific applications may require other ratings.

PHASE: 1
FREQUENCY: 60 Hz
INSULATION CLASS: 185°C
TEMPERATURE RISE: 115°C
POLARITY: SUBTRACTIVE
APPROXIMATE WEIGHT: 900 LBS.

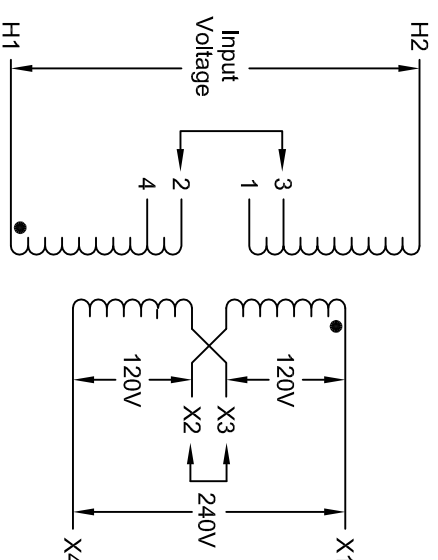
PRIMARY TAP CONNECTIONS:
 + Voltage % TAP ON HI-H2 JUMPER x-x
 NOMINAL ON HI-H2 JUMPER 2-3
 - Voltage % TAP ON HI-H2 JUMPER x-x

SECONDARY CONNECTIONS:
 LINES ON X1 TO X4
 240V SERIES CONNECT X2 TO X3
 120V PARALLEL CONNECT X1 TO X3, X2 TO X4

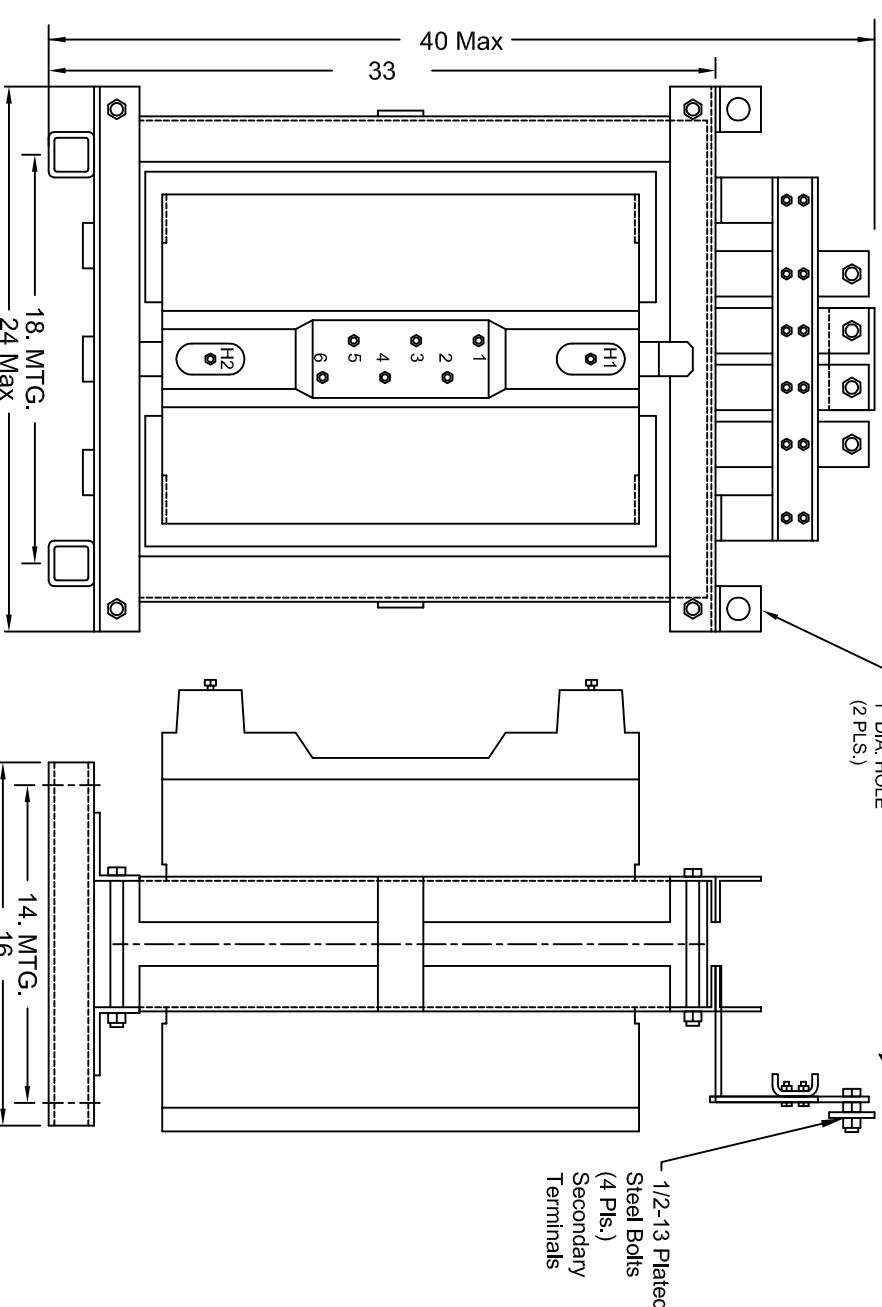
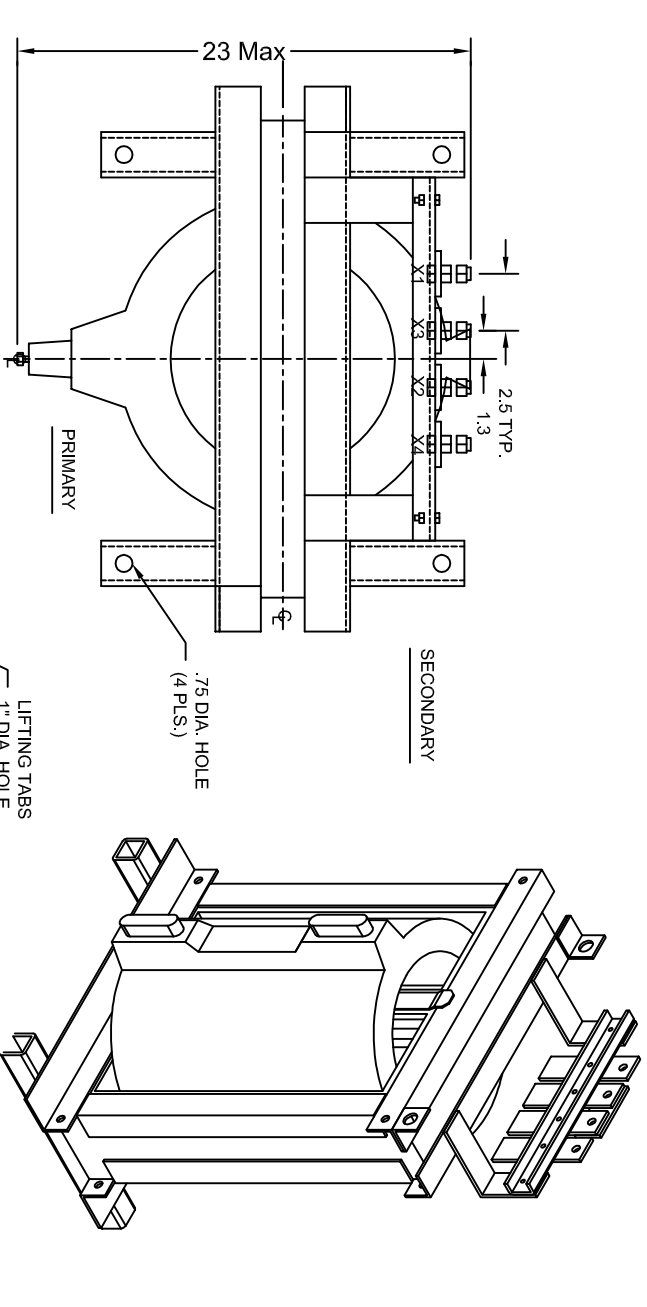
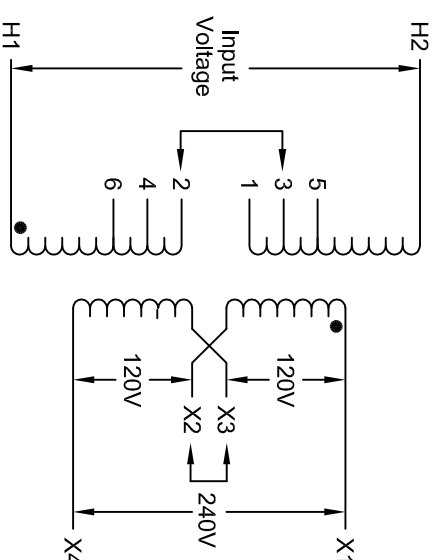
Note:

- 1) Dimensions are for reference only and subject to change. Consult factory for details.
- 2) Thermal Rating: 75kVA based on 30°C ambient, @ 55°C ambient power is limited to 64.3kVA.
- 3) Addition of fan cooling to transformer increases power rating by 33%.
- 4) High voltage coil uses vacuum cast epoxy insulation system
- 5) Low voltage coil impregnated with polyester resin insulation system
- 6) Standard product offered unfused
- 7) Core is constructed with low loss grain oriented electrical steel
- 8) Custom voltages and BIL requirements are available

(1) ±7.5% Tap Arrangement



(2) ±2.5% Tap Arrangement



TYPICAL MEASUREMENTS - CAN BE MODIFIED TO CUSTOMER REQUIREMENTS

CONTACT FACTORY FOR ALL CUSTOM REQUIREMENTS Sales generated

<input type="checkbox"/> APPROVED	Epoxy/Cast 75kVA 5-15kV Class 1Phase Master from 860697A updated		AFP TRANSFORMERS, CORP. A UNITED CAPITAL COMPANY		REV.
<input type="checkbox"/> APPROVED AS NOTED	TITLE: 5kV to 15kV Class - 75kVA SCHEMATIC AND OUTLINE		FINISH		-
<input type="checkbox"/> REJECTED AND RESUBMIT	TOLERANCE	MATERIAL			
DATE: ___ BY: ___	DWN/BJ	CHECKED	APPROVED	SCALE	
	IS	DATE	DATE	NTS	
	031521			1 OF 1	