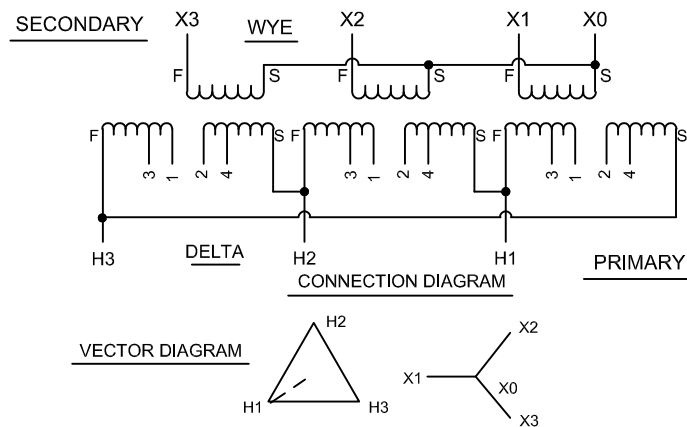


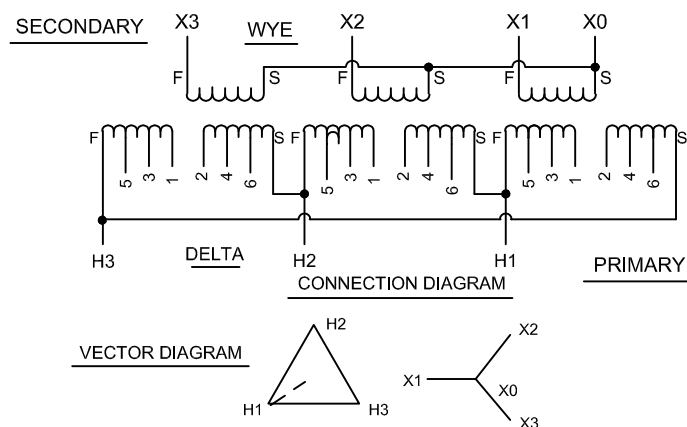
75kVA / 3φ

±7.5% Tap Arrangement



7.5% ARRANGEMENT	
HV LINK	% RATED VOLTAGE
1.2	107.5
2-3	100.0
3-4	92.5

±2.5% Tap Arrangement



2.5% ARRANGEMENT	
HV LINK	% RATED VOLTAGE
1.2	105.0
2-3	102.5
3-4	100.0
4-5	97.5
5-6	95.0

PRI. V	AFP #	Taps	BIL	HIPOT
13800	460706V	±7 1/2	95	34
13200	460708V	±7 1/2	95	34
12470	460710V	±7 1/2	95	34
12000	460712V	±7 1/2	95	34
8320	460714V	±7 1/2	95	34
7620	460716V	±7 1/2	95	34
7200	460718V	±7 1/2	95	34
4800	460720V	±7 1/2	60	19
4160	460722V	±7 1/2	60	19
2400	460724V	±7 1/2	60	19
13800	460707V	±(2)2 1/2	95	34
13200	460709V	±(2)2 1/2	95	34
12470	460711V	±(2)2 1/2	95	34
12000	460713V	±(2)2 1/2	95	34
8320	460715V	±(2)2 1/2	95	34
7620	460717V	±(2)2 1/2	95	34
7200	460719V	±(2)2 1/2	95	34
4800	460721V	±(2)2 1/2	60	19
4160	460723V	±(2)2 1/2	60	19
2400	460725V	±(2)2 1/2	60	19

PHASE: 3
 FREQUENCY: 60 Hz
 INSULATION CLASS: 185°C
 TEMPERATURE RISE: 115°C
 POLARITY: SUBTRACTIVE
 APPROXIMATE WEIGHT: 1075 LBS.

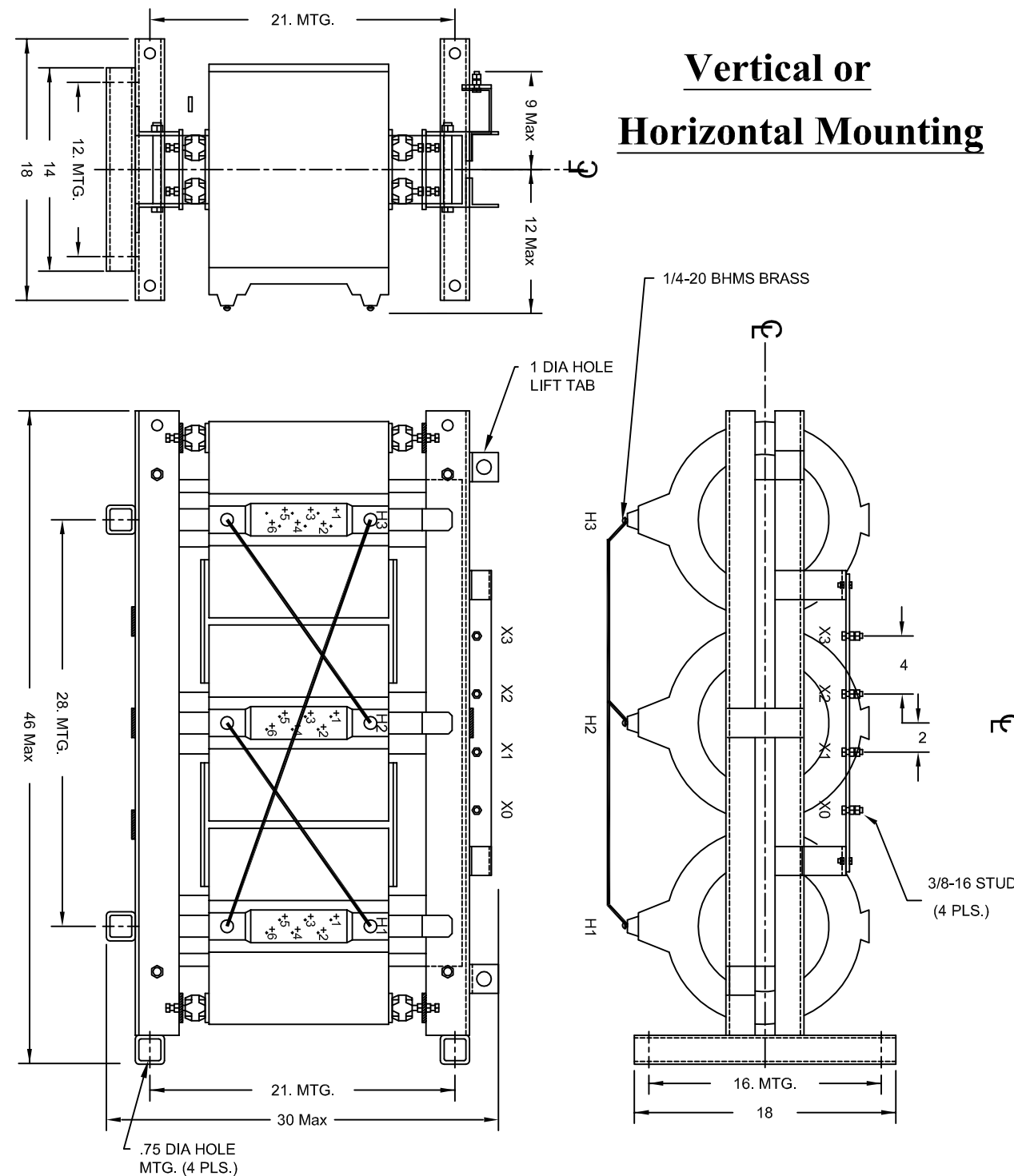
PRIMARY TAP CONNECTIONS: + Voltage % TAP ON H1-H2 JUMPER x-x (SEE TABLE)
 NOMINAL ON H1-H2 JUMPER 2-3 OR 3-4
 - Voltage % TAP ON H1-H2 JUMPER x-x (SEE TABLE)

SECONDARY CONNECTIONS: 208V L-L CONNECT X1, X2, X3
 120V WYE CONNECT X0-X1, X0-X2, X0-X3

Note:

- 1) Dimensions are for maximum and subject to change. Consult factory for actual dimensions.
- 2) Thermal Rating: 75kVA based on 30°C ambient, @ 55°C ambient power is limited to 64.3kVA.
- 3) Addition of fan cooling to transformer increases power rating by 33%.
- 4) High voltage coil uses vacuum cast epoxy insulation system
- 5) Low voltage coil impregnated with polyester resin insulation system
- 6) Standard product offered unfused
- 7) Core is constructed with low loss grain oriented electrical steel
- 8) Custom voltages and BIL requirements are available

Vertical or Horizontal Mounting



TYPICAL MEASUREMENTS - CAN BE MODIFIED TO CUSTOMER REQUIREMENTS
 CONTACT FACTORY FOR ALL CUSTOM REQUIREMENTS

Sales generated

<input type="checkbox"/> APPROVED <input type="checkbox"/> APPROVED AS NOTED <input type="checkbox"/> REJECTED AND RESUBMIT	EpoxyCast 75kVA 5_15kV 3Phase 208v Outline		AFP TRANSFORMERS, CORP.	
	from 460707VR3G		A UNITED CAPITAL COMPANY	
TITLE 5kV to 15kV Class - 75kVA 3φ SCHEMATIC AND OUTLINE				
TOLERANCE		MATERIAL		FINISH
DWN.BY js	CHECKED	APPROVED	SCALE NTS	REV.
DATE 092421	DATE	DATE	SHEET 1 OF 1	-